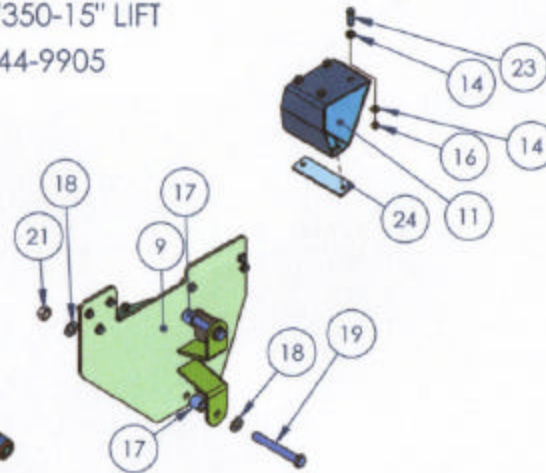
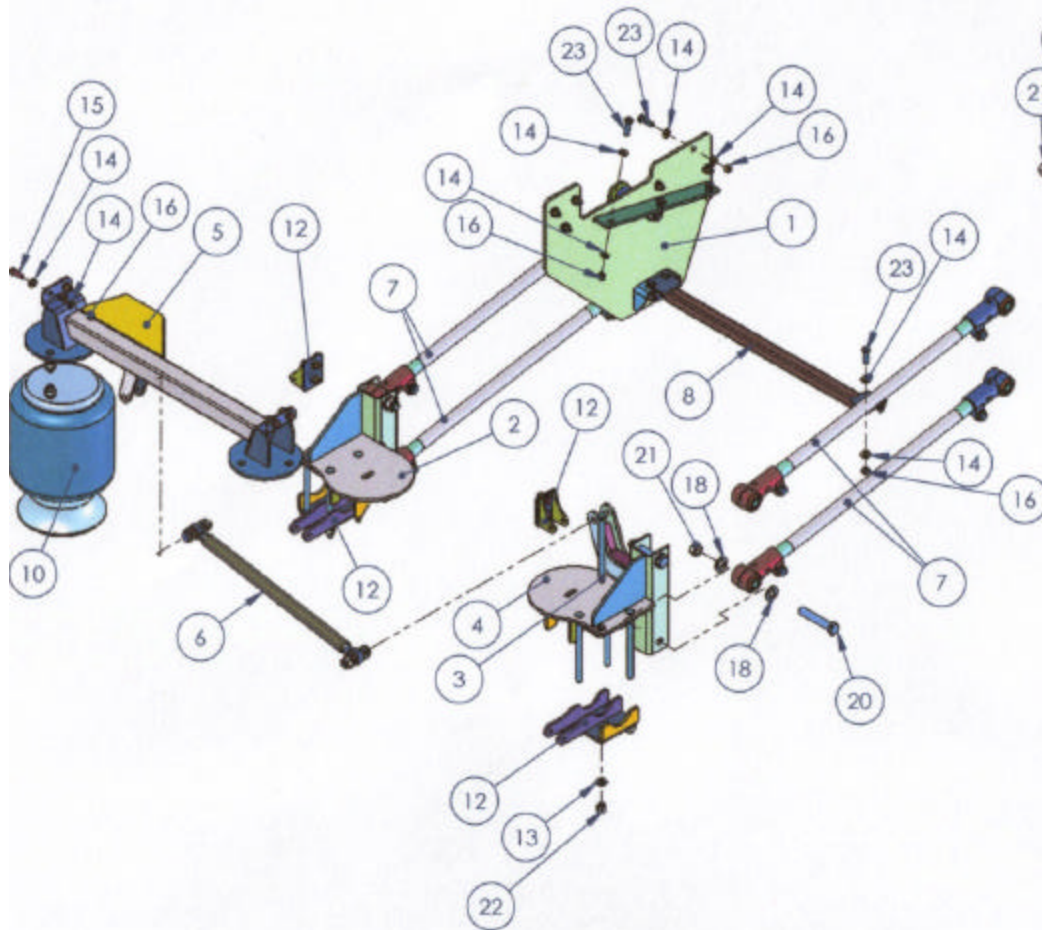


INSTALLATION - FORD F250/350-15" LIFT
 FORD-R4L-15-350-SB-D-44-9905



ITEM NO.	PART NO.	DESCRIPTION	QTY.
1	11237	MOUNT - DS PERCH REAR	1
2	10409	MOUNT - REAR 4 LINK (DS)	1
3	12451	SCREW-HCS-.63-18X9.00-GRB-YZ	8
4	10408	MOUNT - REAR 4 LINK (R)	1
5	10419	FRAME - REAR UPPER BAG	1
6	11167	KIT - PAN HARD 22" - 1.75	1
7	10402	LINKAGE - 42"	4
8	10429	CROSSMEMBER -	1
9	11236	MOUNT - PS PERCH REAR	1
10	10582	BAG KIT - 9619(STD)	2
11	10295	MOUNT - CARRIER BEARING	1
12	11780	KIT - SINGLE SHOCK MOUNT	1
13	13006	WASHER-FLATSTRL-.63-.69X1.31-.177-YZ-ASTM325	8
14	13004	WASHER-FLATSTRL-.50-.53X1.06-.177-YZ ASTM325	64
15	12007	SCREW-HCS-.50-20X1.50-GRB-YZ	6
16	13124	NUT-TLHEX-.50-20-C-YZ	32
17	10216	TUBE - BUSHING .91-1.50-1.50	4
18	13010	WASHER-FLATSTRL-.87-.93X1.75-.177-YZ ASTM325	16
19	12637	SCREW-HCS-.88-14X7.00-GRB-YZ	4
20	12629	SCREW-HCS-.88-14X5.00-GRB-YZ	4
21	13130	NUT-TLHEX-.88-14-C-YZ	8
22	13179	NUT - HEX EXT. -.63-18-GRB-PLN	8
23	12009	SCREW-HCS-.50-20X1.75-GRB-YZ	26
24	10579	PLATE - SPACER	1