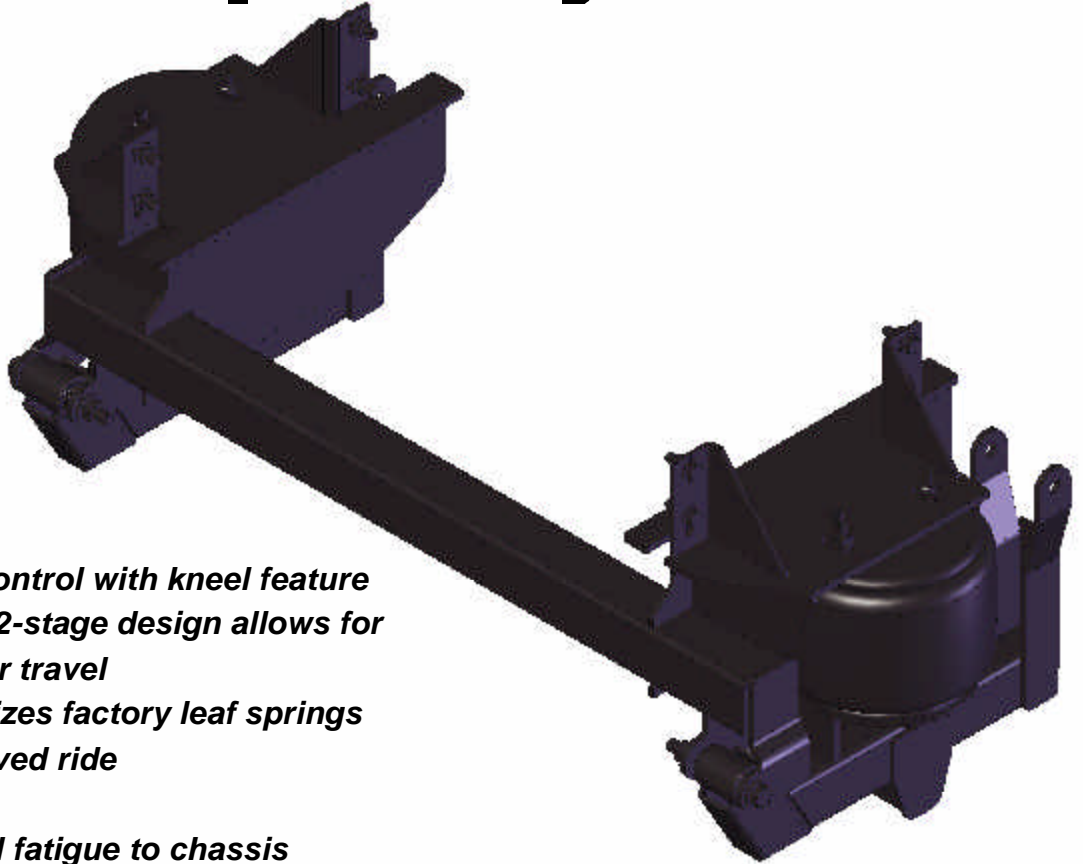


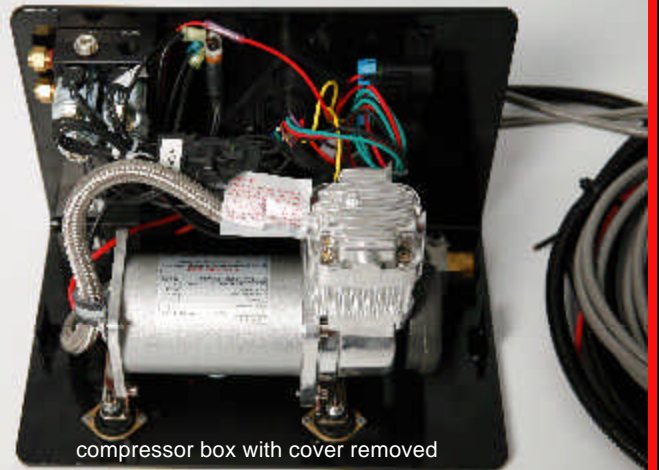
# Ford F-350/450/550 Chassis Cab 2-Stage Rear Air Suspension System



- *Electronic height control with kneel feature*
- *Unique Kelderman 2-stage design allows for 2-3" of additional air travel*
- *2-stage system utilizes factory leaf springs*
- *Dramatically improved ride*
- *Maintenance free*
- *Reduces shock and fatigue to chassis*



ESLK1



compressor box with cover removed

**K** *kelderman*  
AIR SUSPENSION SYSTEMS

[www.keldermanairride.com](http://www.keldermanairride.com)

2686 Highway 92 • Oskaloosa, Iowa 52577

fax 641.673.4168 • sales / tech support 641.673.0468